



Parto Sahand Ara

PGB PRESSURE GAUGE

PRESSURE GAUGE BOURDON TUBE



www.arainstrument.com



pressure gauge Bourdon tube , model PGB

Applications

- For gaseous and liquid aggressive media that are not highly viscous or crystallising, also in aggressive environments
- Chemical and petrochemical industries, oil and gas industrial, power engineering and also water and wastewater technology
- Machine building and general plant construction



Description

This high-quality Bourdon tube pressure gauge has been designed especially for the process industry.

The use of high-quality stainless steel materials and the robust design are geared to applications in the chemical and process engineering industries. Thus the instrument is suitable for liquid and gaseous media, also in aggressive environments.

- Scale ranges of :
0 ... 0.6 to 0 ... 1,600 bar [0 ... 10 to 0 ... 20,000 psi] ensure the measuring ranges required for a wide variety of applications.
- Basic Material: Stainless steel 1.4301 / Stainless steel 1.4571
- Mounting : Without
 - Panel mounting flange, stainless steel
 - Panel mounting flange, polished stainless steel
 - Triangular profile ring, stainless steel polished with mounting bracket
 - Surface mounting flange, stainless steel
- Measuring element : Stainless steel 1.4301 / Monel (models 262.50 and 263.50)



pressure gauge Bourdon tube , model PGB

Specifications

Basic information	
Standard	EN 837-1 ASME B40.100
	For information on the "Selection, installation, handling and operation of pressure gauges", see Technical information IN 00.05.
Nominal size (NS)	Ø 63 mm [2 ½"] Ø 100 mm [4"] Ø 160 mm [6"]
Window	Laminated safety glass (NS 63 [2 ½"]: Polycarbonate)
case	
Design	Safety level "S1" per EN 837-1 With blow-out device at case circumference, 12 o'clock (NS 63 [2 ½"]) and on the back of the case (NS 100 [4"] and 160 [6"]) Scale ranges ≤ 0 ... 16 bar [≤ 0 ... 300 psi] with compensating valve to vent and reseal case
Material	Stainless steel 1.4301 (304) Stainless steel 1.4571 (316 Ti)
Ring	Bayonet ring, stainless steel
Mounting	Without Panel mounting flange, stainless steel Panel mounting flange, polished stainless steel Triangular profile ring, stainless steel polished with mounting bracket Surface mounting flange, stainless steel
Case filling (model PGB)	Without Glycerine Glycerine-water mixture for NS 100 [4"] and 160 [6"] with scale range ≤ 0 ... 2.5 bar [≤ 0 ... 40 psi] or for NS 63 [2 ½"] with scale range ≤ 0 ... 4 bar [≤ 0 ... 60 psi] Silicone oil
Movement	Stainless steel everlast design

Scale ranges

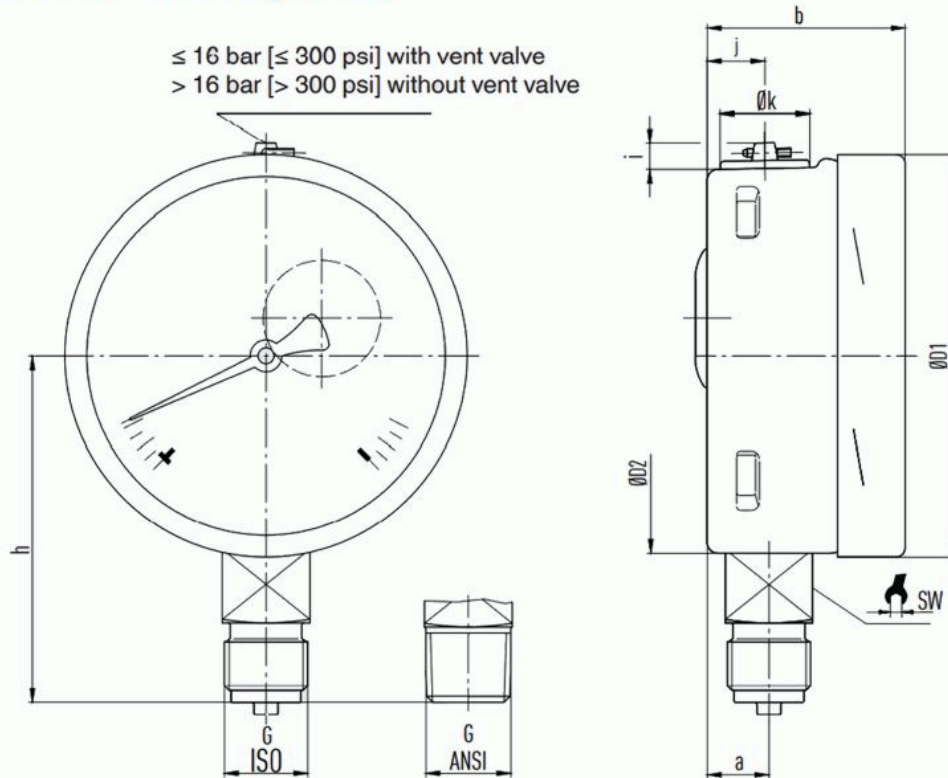
Further information on: Scale range	
Special scale ranges	Other scale ranges on request
Unit	bar psi kg/cm kPa Mpa



pressure gauge Bourdon tube , model PGB

Dimensions in mm [in]

Lower mount (radial)



NS	Weight
63 [2 1/2"]	approx. 0.16 kg [0.35 lbs]
100 [4"]	approx. 0.6 kg [1.32 lbs]
160 [6"]	approx. 1.1 kg [2.43 lbs]

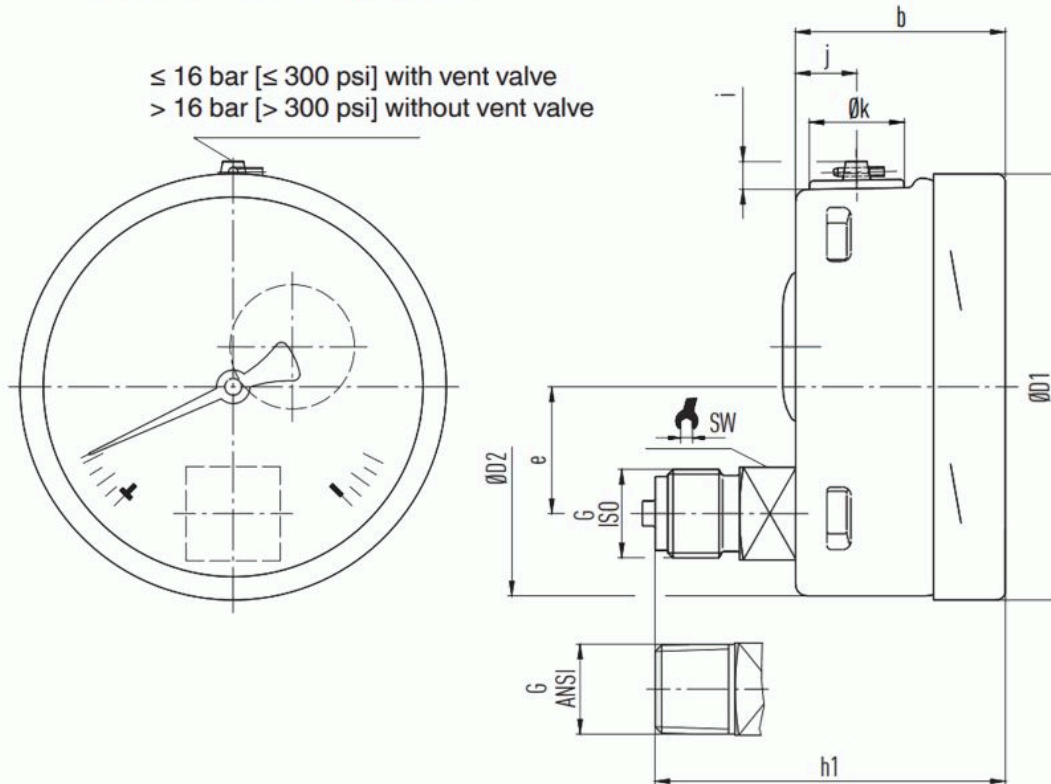
NS	G	Dimensions in mm [in]								
		h ±1	a	b	D1	D2	i	y	k	SW
63 [2 1/2"]	G 1/4 B	54 [2.13]	9.5 [0.37]	33 [1.30]	63 [2.48]	62 [2.44]	6 [0.24]	10 [0.39]	15 [0.59]	14 [0.55]
	G 1/2 B	51 [2.01]								
	M12 x 1.5	54 [2.13]								
100 [4"]	G 1/4 B	80 [3.15]	15.5 [0.61]	49.5 [1.95]	101 [3.98]	99 [3.90]	6.5 [0.26]	14.5 [0.57]	22.5 [0.89]	22 [0.87]
	G 1/2 B	87 [3.43]								
	M12 x 1.5	80 [3.15]								
	M20 x 1.5	87 [3.43]								
160 [6"]	G 1/4 B	111 [4.37]	15.5 [0.61]	49.5 [1.95]	161 [6.34]	159 [6.26]	6.5 [0.26]	14.5 [0.57]	22.5 [0.89]	22 [0.87]
	G 1/2 B	118 [4.65]								
	M12 x 1.5	111 [4.37]								
	M20 x 1.5	118 [4.65]								



pressure gauge Bourdon tube , model PGB

Dimensions in mm [in]

Lower mount (radial)



NS	Weight
63 [2 1/2"]	approx. 0.16 kg [0.35 lbs]
100 [4"]	approx. 0.6 kg [1.32 lbs]
160 [6"]	approx. 1.1 kg [2.43 lbs]

NS	G	Dimensions in mm [in]								
		$h \pm 1$	b	D1	D2	e	i	y	k	SW
63 [2 1/2"]	G 1/4 B	57 [2.24]	33 [1.30]	63 [2.48]	62 [2.44]	18.5 [0.73]	6 [0.24]	10 [0.39]	15 [0.59]	14 [0.55]
	G 1/2 B	54 [2.13]								
	M12 x 1.5	57 [2.24]								
100 [4"]	G 1/4 B	76 [2.99]	49.5 [1.95]	101 [3.98]	99 [3.90]	30 [1.18]	6.5 [0.26]	14.5 [0.57]	22.5 [0.89]	22 [0.87]
	G 1/2 B	83 [3.27]								
	M12 x 1.5	76 [2.99]								
	M20 x 1.5	83 [3.27]								
160 [6"]	G 1/4 B	76 [2.99]	49.5 [1.95]	161 [6.34]	159 [6.26]	50 [1.97]	6.5 [0.26]	14.5 [0.57]	22.5 [0.89]	22 [0.87]
	G 1/2 B	83 [3.27]								
	M12 x 1.5	76 [2.99]								
	M20 x 1.5	83 [3.27]								



pressure gauge Bourdon tube , model PGB

Order Code

PGB Configuration	
1	dial size(mm)
	063 63 (mm)
	100 100 (mm)
	160 160 (mm)
2	process connection
	08M 1/4" NPT-male
	15M 1/2" NPT-male
	* Other - please specify
3	Connection location
	L lower mount
	B back lower mount
	* Other - please specify
4	pressure range
	* **** to ****
5	option
	1 oil
	2 N/A
	* Other - please specify

Additional order details _____

PGB -

--	--	--	--

 -

--

1 2 3 4 5



Parto Sahand Ara

Unit 68, First floor, No.22
Somayeh St., Mousavi St.
Tehran-IRAN

www.arainstrument.com
info@arainstrument.com
+98-21-88810155-9
+98-991-2503500