



Parto Sahand Ara

DC DIAPHRAGM

DIAPHRAGM CLAMP



www.arainstrument.com



Diaphragm Seal Type DC

Applications

- Sanitary applications
- Gases, compressed air, vapour; liquid, pasty, powdery and crystallising media
- Ultra-pure steam systems
- Mounting to pipelines and vessels
- Pressure/vacuum monitoring, e.g. vacuum conveyors, pump monitoring



Description

A diaphragm made of the appropriate material provides for the separation from the medium to be measured. Thus even the most difficult measuring requirements can be met by combining measuring instruments with diaphragm seals.

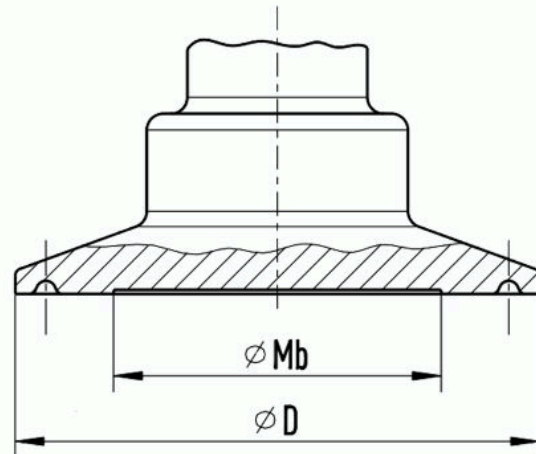
- A fluid inside the system, which can be chosen to suit the particular application, hydraulically transmits the pressure to the measuring instrument.
- The model DC diaphragm seals with clamp connection have been specifically developed for use in sterile processes and are integrated into the process by means of a clamp. Thus a good cleanability is ensured.
- The diaphragm seal systems can withstand the cleaning vapour temperatures occurring.
- Measuring systems with model DC ARA diaphragm seals are successfully in the food, bio and pharmaceutical industries as finishing systems.
- Connection to the measuring instrument : Axial adapter with / G 1/2, G 1/4, 1/2 NPT or 1/4 NPT (female)
- Type of mounting : Direct mounting / Capillary OR Cooling element



Diaphragm Seal Type DC

Process Connection

Clamp connection per DIN 32676
Pipe standard per DIN 11866 row C or ASME BPE



Legend:
Mb Effective diameter of diaphragm
D Outer diameter of diaphragm seal

DN	PN	Dimensions in mm [in]			
		For pipe outer ϕ x wall thickness	Pipe inner ϕ	D	Mb
1"	40	25.4 x 1.65 [1 x 0.065]	22.1 [0.87]	50.5 [1.988]	22 [0.866]
1 1/2"	40	38.1 x 1.65 [1.5 x 0.065]	34.8 [1.37]	50.5 [1.988]	32 [1.26]
2"	40	50.8 x 1.65 [2 x 0.065]	47.5 [1.87]	64 [2.52]	40 [1.575]
2 1/2"	40	63.5 x 1.65 [2.5 x 0.065]	60.2 [2.37]	77.5 [3.051]	52 [2.047]
3"	40	76.2 x 1.65 [3 x 0.065]	72.9 [2.87]	91 [3.583]	60 [2.362]



Diaphragm Seal Type DC

Order Code

DC Configuration	
1	Process Connection
	25 1" DN25
	40 1½" DN40
	50 2" DN50
	65 2½" DN65
	80 3" DN80
*	Other - please specify
2	Material of Wetted Parts
	S 316L SS (1.4435)
	H Hastelloy C276 (2.4819)
	I Inconel 600 (2.4816)
	M Monel 400 (2.4360)
*	Other - please specify
3	Connection to Pressure Instrumen
	1 1/4" NPT-female
	2 1/2" NPT-female
	3 Axial weld-in connection
*	Other - please specify
4	Accessory
	1 Capillary
	2 Cooling
	3 PTFE coated
	4 N/A
*	Other - please specify

Additional order details

DC -

--	--	--	--

 -

--

1 2 3 4



Parto Sahand Ara

Unit 68, First floor, No.22
Somayeh St., Mousavi St.
Tehran-IRAN

www.arainstrument.com
info@arainstrument.com
+98-21-88810155-9
+98-991-2503500