



Parto Sahand Ara

TWT THERMOWELL

THERMOWELL TREADED





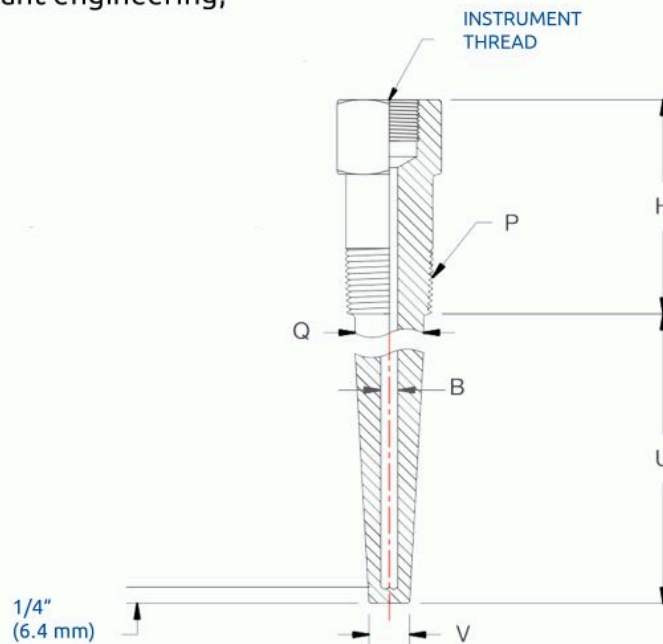
Thermowell model : TWT

Description

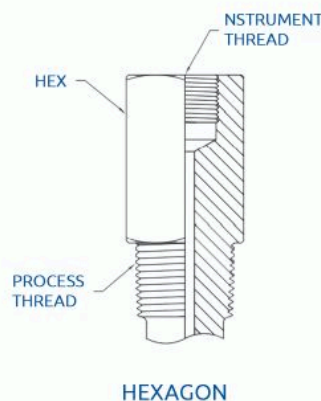
Model TWT thermowells are machined from solid bar stock. The thermowell profile is tapered, straight or stepped. The process connections are NPT (tapered) for installation into a mating connection. This design of thermowell will accept thermocouples (TC), resistance temperature detectors (RTD), as well as mechanical and digital thermometers.

Applications

- Chemical, process, apparatus and plant engineering; petrochemical; on/offshore
- High chemical loads
- High process loads



Head Designs





Thermowell model : TWT

Material combinations

Thermowell Flanged Model:TWT	
Head Design:	Hexagon, Round with hexagon, or Round with wrench flats
Thermowell Style:	Tapered, Straight, or Stepped
Process Thread:	1/2 NPT, 3/4 NPT, or 1 NPT
Insertion Length:	Up to 62 inch (1575 mm) for single piece construction
Bore Size:	0.260 to 0.702 inch (6.6 to 17.8 mm)
Bore Depth:	Up to 72 inch (1828 mm)

Threaded Tapered



Threaded Straight



Threaded Stepped



Option:

- Wake frequency calculations
- Quality certificates
- Metallic hard coatings
- Stainless steel plug or cap with chain
- Product tagging
- Multi-piece construction for bore depths greater than 72 inch



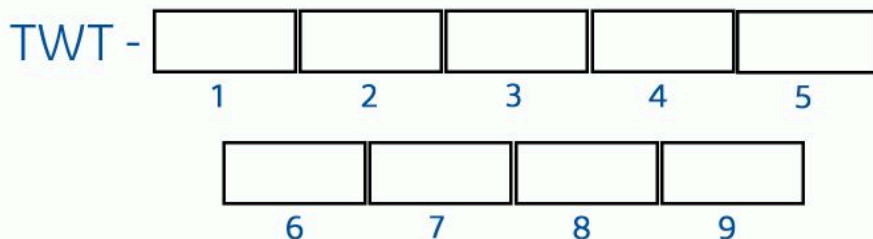
Diaphragm Seal Type TWT

Order Code

TWT Configuration	
1	Thermowell style
	A Tapered
	B Straight
	C Stepped
2	Process thread [P]
	15M G 1/2" male
	20M G 3/4" male
	25M G 1" male
	40M G 1 1/2" male
	50M G 2" male
	* Other - please specify
3	Instrument connection
	1 1/4" NPT-female
	2 1/2" NPT-female
	* Other - please specify
4	Insertion length
xxx	Please specify...
5	Head length
	45 45 mm
	50 50 mm
	* Other - please specify
6	Material
	S 316L SS (1.4435)
	H Hastelloy C276 (2.4819)
	I Inconel 600 (2.4816)
	T Tantalum
	M Monel 400 (2.4360)
	* Other - please specify

7	Bore size [B]
	1 0.260 inch (6.6 mm)
	2 0.335 inch (8.5 mm)
*	Other - please specify
8	Root diameter [Q]
	22 22 mm
	25 25 mm
	* Other - please specify
9	Tip diameter [V]
	16 16 mm
	19 19 mm
	* Other - please specify

Additional order details _____





Parto Sahand Ara

Unit 68, First floor, No.22
Somayeh St., Mousavi St.
Tehran-IRAN

www.arainstrument.com
info@arainstrument.com
+98-21-88810155-9
+98-991-2503500