



Parto Sahand Ara

DH DIAPHRAGM

DIAPHRAGM HOMOGENISER



www.arainstrument.com



Diaphragm Seal Type DH

Applications

- Homogeniser machines for milk, beverages, cosmetics and pharmaceutical preparations
- Machines for the production of emulsions



Description

Diaphragm seals are used for the protection of pressure measuring instruments in applications with difficult media. In diaphragm seal systems, the diaphragm of the diaphragm seal effects the separation of the instrument and the medium. The pressure is transmitted to the measuring instrument via the system fill fluid which is inside the diaphragm seal system.

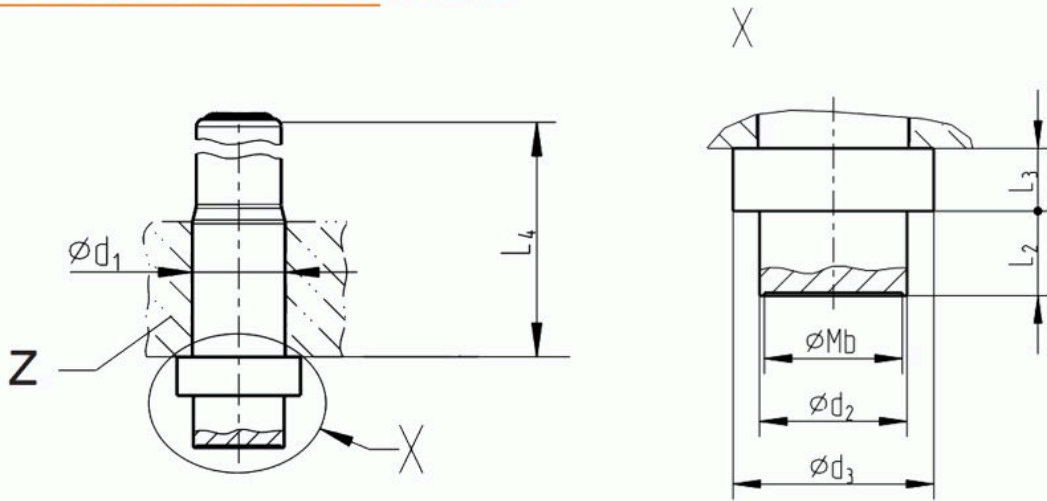
The model DH diaphragm seal is a special development for homogeniser machines in sanitary applications. This diaphragm seal is available with process connections in various designs and is thus suitable for all common measuring points. The diaphragm seal systems ensure reliable measurements, even with high loading through vibrations and pressure spikes.

Mounting of the diaphragm seal to the measuring instrument may be made via a direct connection or a flexible capillary

- Pressure Ranges : 60....600 bar
- Wetted Parts : Stainless steel 1.4435 (316L)



Process connection



Legend:

- Mb Effective diameter of diaphragm
- d₁ Shaft diameter
- d₂ Diameter of extended diaphragm
- d₃ Collar diameter
- L₂ Length of extended diaphragm
- L₃ Collar length
- L₄ Retainer shaft length

Dimensions in mm [in]

Mb	d1	d2	d3	L2	L3	L4
22	27.5	24.8	33.5	12	10.7	50 (1.968)
(0.866)	(1.082)	(0.976)	(1.318)	(0.472)	(0.421)	77 (3.031)
						97 (3.819)

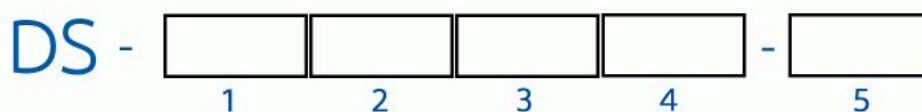


Diaphragm Seal Type DH

Order Code

DH Configuration	
1	Process Connection
	1 d1: 27.5 (1.082) d2: 24.8 (0.976) d3 : 33.5 (1.31) L2 : 12 (0.472) L3: 10.7 (0.421)
	* Other - please specify
	Material of Wetted Parts
	S 316L SS (1.4435) H Hastelloy C276 (2.4819) I Inconel 600 (2.4816) M Monel 400 (2.4360) * Other - please specify
3	Connection to Pressure Instrumen
	1 1/4" NPT-female
	2 1/2" NPT-female
	3 Axial weld-in connection
	* Other - please specify
4	Neck size (L4)
	1 50 (1.968)
	2 77 (3.031)
	3 97 (3.819)
	* Other - please specify
5	Accessory
	1 Capillary
	2 Cooling
	4 N/A
	* Other - please specify

Additional order details _____





Parto Sahand Ara

Unit 68, First floor, No.22
Somayeh St., Mousavi St.
Tehran-IRAN

www.arainstrument.com
info@arainstrument.com
+98-21-88810155-9
+98-991-2503500