



Parto Sahand Ara

LSG_F

LEVEL SIGHT GLASS

Level SIGHT GLASS FLAPPER

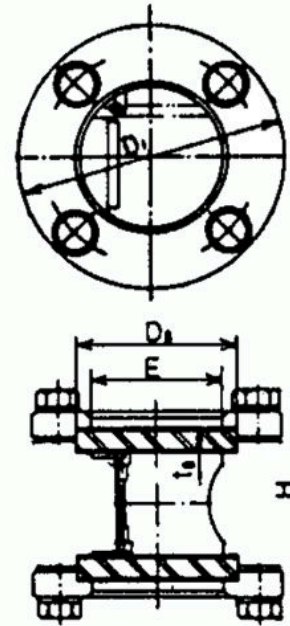




LEVEL SIGHT GLASS MODEL: LSG_F



Max. pressure: 30 kgf/cm²G
Max. temperature: 300 °C
Glass: tempered



Speciality

- A spring stops an at the inlet mounted flapper from opening unintentionally. This allows its use for all flow directions.
- Flapper, pin & spring are made of stainless steel.
- Glass is strengthened and tested for pressures up to 45 kg /cm².

Dimensions

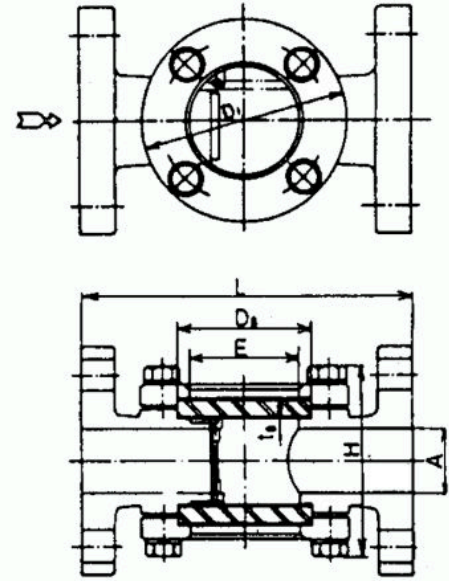
Size A (")	H	E
15 (½)	130	40
20(¾)	130	40
25(1)	135	50
32(1 ¼)	160	65
40 (1 1/2)	160	65
50(2)	175	75
65 (2 ½)	200	105
80 (3)	200	105
100 (4)	240	130
125 (5)	280	170
150 (6)	310	200
200 (8)	370	260



LEVEL SIGHT GLASS MODEL: LSG_F



Max. pressure: 30 kgf/cm²G
Max. temperature: 300 °C
Glass: tempered



Speciality

- A spring stops an at the inlet mounted flapper from opening unintentionally. This allows its use for all flow directions.
- Flapper, pin & spring are made of stainless steel.
- Glass is strengthened and tested for pressures up to 45 kg /cm².

Dimensions

Size A (")	L	H	E
15 (½)	160	130	40
20(¾)	160	130	40
25(1)	170	135	50
32(1 ¼)	200	160	65
40 (1 1/2)	200	160	65
50(2)	220	175	75
65 (2 ½)	270	200	105
80 (3)	270	200	105
100 (4)	320	240	130
125 (5)	380	280	170
150 (6)	420	310	200
200 (8)	500	370	260



LEVEL SIGHT GLASS MODEL: LSG_F

Order Code

LSG-F Configuration		
1	Model	
	FS	LSG-FS
	FD	LSG-FD
2	Process connection 1	
	050	1" DN25
	100	1 1/2" DN40
	050	2" DN50
	Z	Without
3	Material	
	C	CS
	L	SS304
	S	SS316
	*	Other - please specify
4	Diameter [E]	
	***	***?
5	Diameter [A] (only for LFS-FD)	
	Z	Without
	*	Other - please specify
6	Length [H]	
	***	***?
7	Length [L] (only for LFS-FD)	
	***	***?

Additional order details _____

LSG_F -

1	2	3	4	5	6	7



Parto Sahand Ara

Unit 68, First floor, No.22
Somayeh St., Mousavi St.
Tehran-IRAN

www.arainstrument.com
info@arainstrument.com
+98-21-88810155-9
+98-991-2503500