



Parto Sahand Ara

DFW DIAPHRAGM

DIAPHRAGM FLANGE WAFER



www.arainstrument.com



Diaphragm Seal Type DFW

Applications

- Process industry
- High-pressure applications
- Aggressive, highly viscous, crystallising or hot media



Description

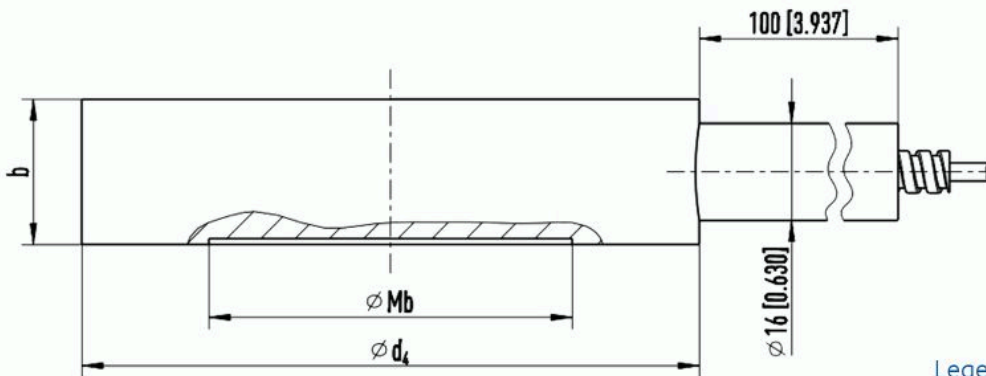
Diaphragm seals are used for the protection of pressure measuring instruments in applications with difficult media. In diaphragm seal systems, the diaphragm of the diaphragm seal effects the separation of the instrument and the medium.

- Connection to the measuring instrument : Radial gauge adapter
- Type of mounting : Capillary with handling tube



Diaphragm Seal Type DFW

Dimensions in mm [in]



Legend:
 Mb Outer diameter of diaphragm
 d₄ Raised face diameter
 b Cell thickness

DN	Dimensions in mm [in]			Weight in kg [lbs]
	Mb	d ₄	b	
1 ½"	45 [1.772]	73 [2.874]	20 [0.787]	0.7 [1.543]
2"	60 [2.362]	92.1 [3.626]	20 [0.787]	1.0 [2.205]
3"	90 [3.543]	127 [5.0]	20 [0.787]	2.0 [4.409]
4"	90 [3.543]	157.2 [6.189]	20 [0.787]	3.0 [6.614]
5"	124 [1.772]	185.7 [7.311]	22 [0.866]	4.7 [10.362]



Diaphragm Seal Type DFW

Order Code

DFW Configuration		
1	Process Connection	
	25	1" DN25
	40	1½" DN40
	50	2" DN50
	80	3" DN80
	100	4" DN100
	125	5" DN125
	*	Other - please specify
2	Nominal Pressure Rating DIN	
	C1	Class
	P1	PN
	*	Other - please specify
3	Sealing Face	
	RF	RF
	*	Other - please specify
4	Material of Wetted Parts	
	S	316L SS (1.4435)
	H	Hastelloy C276 (2.4819)
	I	Inconel 600 (2.4816)
	T	Tantalum
	M	Monel 400 (2.4360)
	*	Other - please specify

5	Diaphragm Material	
	S	316L SS (1.4435)
	H	Hastelloy C276 (2.4819)
	I	Inconel 600 (2.4816)
	T	Tantalum
	G	Gold
	M	Monel 400 (2.4360)
	*	Other - please specify
6	Instrument connection	
	1	Axial weld-in connection
	3	Radial weld-in connection
	*	Other - please specify
7	Accessory	
	1	Capillary
	2	Flush Ring
	3	Flange
	4	PTFE coated
	5	N/A
*	Other - please specify	

Additional order details _____

DFW -

--	--	--	--	--	--	--	--

 -

--

1
2
3
4
5
6
7



Parto Sahand Ara

Unit 68, First floor, No.22
Somayeh St., Mousavi St.
Tehran-IRAN

www.arainstrument.com
info@arainstrument.com
+98-21-88810155-9
+98-991-2503500