



Parto Sahand Ara

DT DIAPHRAGM

DIAPHRAGM TREAD





Diaphragm Seal Type DT

Applications

- For highly viscous or crystallising media
- For hard and abrasive media
- Screed and concrete pumps
- Mining, tunnelling and overburden haulage
- Hygienic applications



Description

Diaphragm seals are used for the protection of pressure measuring instruments in applications with difficult media. In diaphragm seal systems, the diaphragm of the diaphragm seal effects the separation of the instrument and the medium. The pressure is transmitted to the measuring instrument via the system fill fluid which is inside the diaphragm seal system.

The model DT small diaphragm seal with threaded connection and flush diaphragm is suitable for versatile applications. This diaphragm seal, despite its compact dimensions, can also be used for high pressures. Optionally, there are versions available in hygienic design or with protective plates.

Mounting of the diaphragm seal to the measuring instrument may be made via a direct connection or a flexible capillary

- Connection to the measuring instrument : Axial adapter
Axial adapter with G 1/2, G 1/4, 1/2 NPT or 1/4 NPT (female)
- Type of mounting : Direct mounting / Capillary / Cooling element



Diaphragm Seal Type DT

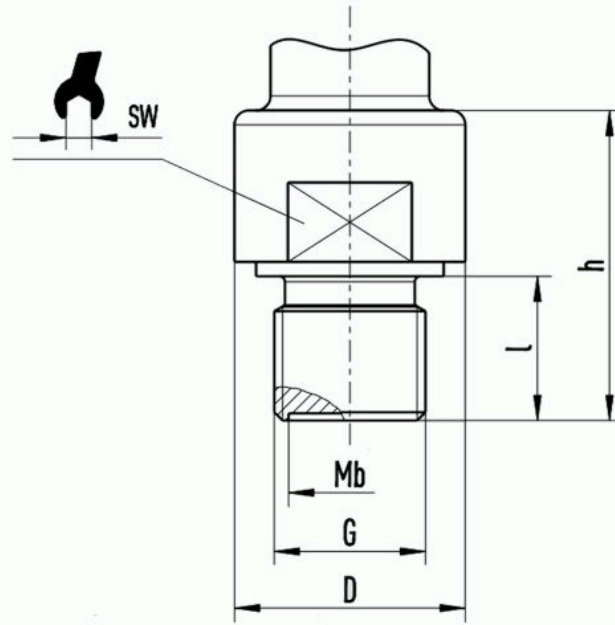
Material combinations

Wetted parts		Maximum permissible process temperature in °C [°F]
Upper body of diaphragm seal	Diaphragm	
Stainless steel 1.4404 / 1.4435 (316L)	Stainless steel 1.4404 / 1.4435 (316L), standard version	400 [752]
Stainless steel 1.4435 (316L)	Stainless steel 1.4435 (316L)	400 [752]
Stainless steel 1.4539 (904L)	Stainless steel 1.4539 (904L)	
Stainless steel 1.4541 (321)	Stainless steel 1.4541 (321)	
Stainless steel 1.4571 (316Ti)	Stainless steel 1.4571 (316Ti)	
Duplex 2205 (1.4462)	Duplex 2205 (1.4462)	
Superduplex 2507 (1.4410)	Superduplex 2507 (1.4410)	300 [572]
Hastelloy C22 (2.4602)	Hastelloy C22 (2.4602)	400 [752]
Hastelloy C276 (2.4819)	Hastelloy C276 (2.4819)	
Monel 400 (2.4360)	Monel 400 (2.4360)	
Titanium class 2 (3.7035)	Titanium class 2 (3.7035)	
Titanium class 7 (3.7235)	Titanium class 11 (3.7225)	
Stainless steel 1.4435 (316L)	PFA (perfluoroalkoxy) coating, FDA	260 [500]
	PFA (perfluoroalkoxy) coating, antistatic	
	Gold plating	400 [752]



Diaphragm Seal Type DT

Dimensions in mm [in]



Legend:
 G Thread
 Mb Effective diameter of diaphragm
 SW Spanner width
 D Outer diameter of diaphragm seal

Flush diaphragm seal with diaphragm

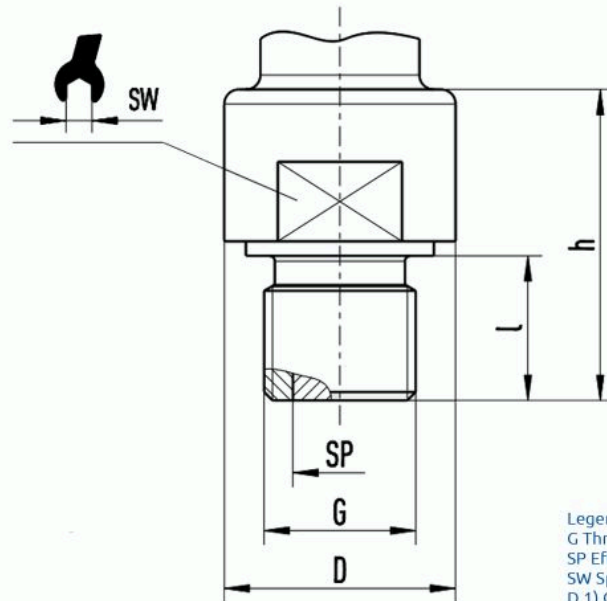
G	PN	Dimensions in mm [in]				
		h	l	Mb	sw	D
G 1/2"	400	43 [1.693]	20 [0.787]	17.9 [0.705]	27 [1.063]	32 [1.26]
G 3/4"		50 [1.969]		22 [0.866]		
G 1"		59 [2.323]		28 [1.102]		
G 1 1/2"	250	63 [2.48]	30 [1.181]	40 [1.575]	55 [2.165]	60 [2.362]
G 2				52 [2.047]		

G	PN	Dimensions in mm [in]				
		h	l	Mb	sw	D
1/2 NPT	600	40 [1.575]	19 [0.748]	14 [0.551]	27 [1.063]	32 [1.26]
3/4 NPT	400	50 [1.969]	20 [0.787]	17 [0.669]		
1 NPT	250	53 [2.087]	25 [0.984]	25 [0.984]	41 [1.614]	45 [1.772]
1 1/2 NPT	100	59 [2.323]	26 [1.024]	40 [1.575]	55 [2.165]	60 [2.362]
2 NPT		60 [2.362]	27 [1.063]	52 [2.047]		



Diaphragm Seal Type DT

Dimensions in mm [in]



Legend:
 G Thread
 SP Effective protective plate diameter
 SW Spanner width
 D 1) Outer diameter of diaphragm seal

Diaphragm seal with protective plate

G	PN	Dimensions in mm [in]				
		h	l	SP	SW	D
G 1/2"	400	43 [1.693]	20 [0.787]	15 [0.591]	27 [1.063]	32 [1.26]
G 3/4"		50 [1.969]				
G 1"		59 [2.323]	28 [1.102]			
G 1 1/2"	250	61 [2.402]	27 [1.063]	36 [1.417]	55 [2.165]	55 [2.165]
G 2		63 [2.48]	30 [1.181]	40 [1.575]	60 [2.362]	68 [2.677]

G	PN	Dimensions in mm [in]				
		h	l	SP	SW	D
1/2 NPT	600	40 [1.575]	19 [0.748]	15 [0.591]	27 [1.063]	32 [1.26]
3/4 NPT	400	50 [1.969]	20 [0.787]			
1 NPT	250	53 [2.087]	25 [0.984]	24 [0.945]	36 [1.417]	40 [1.575]
1 1/2 NPT	100	59 [2.323]	26 [1.024]	36 [1.417]	55 [2.165]	60 [2.362]
2 NPT		60 [2.362]	27 [1.063]	40 [1.575]	60 [2.362]	68 [2.677]



Diaphragm Seal Type DT

Order Code

DT Configuration	
1	Process Connection
	15M G 1/2" male
	20M G 3/4" male
	25M G 1" male
	40M G 1 1/2" male
	50M G 2" male
*	Other - please specify
2	Material of Wetted Parts
	S 316L SS (1.4435)
	H Hastelloy C276 (2.4819)
	I Inconel 600 (2.4816)
	M Monel 400 (2.4360)
	T Tantalum
*	Other - please specify
3	Connection to Pressure Instrumen
	1 1/4" NPT-female
	2 1/2" NPT-female
	3 Axial weld-in connection
*	Other - please specify
4	Accessory
	1 Capillary
	2 Cooling
	3 PTFE coated
	4 N/A
*	Other - please specify

Additional order details _____

DT -

--	--	--	--

 -

--



Parto Sahand Ara

Unit 68, First floor, No.22
Somayeh St., Mousavi St.
Tehran-IRAN

www.arainstrument.com
info@arainstrument.com
+98-21-88810155-9
+98-991-2503500