



Parto Sahand Ara

# ACA COOLING

Accessory Cooling Adaptor





## Cooling Adaptor model: ACA

### Applications

- For threaded pressure measuring instruments in high temperature applications exceeding the allowable media temperature range of the instrument.
- Ideal for off-shore process applications with a salt water environment.
- Can be used with corrosive media that is compatible to 316L stainless steel.



Accessory Cooling Adaptor model: ACA

### Description

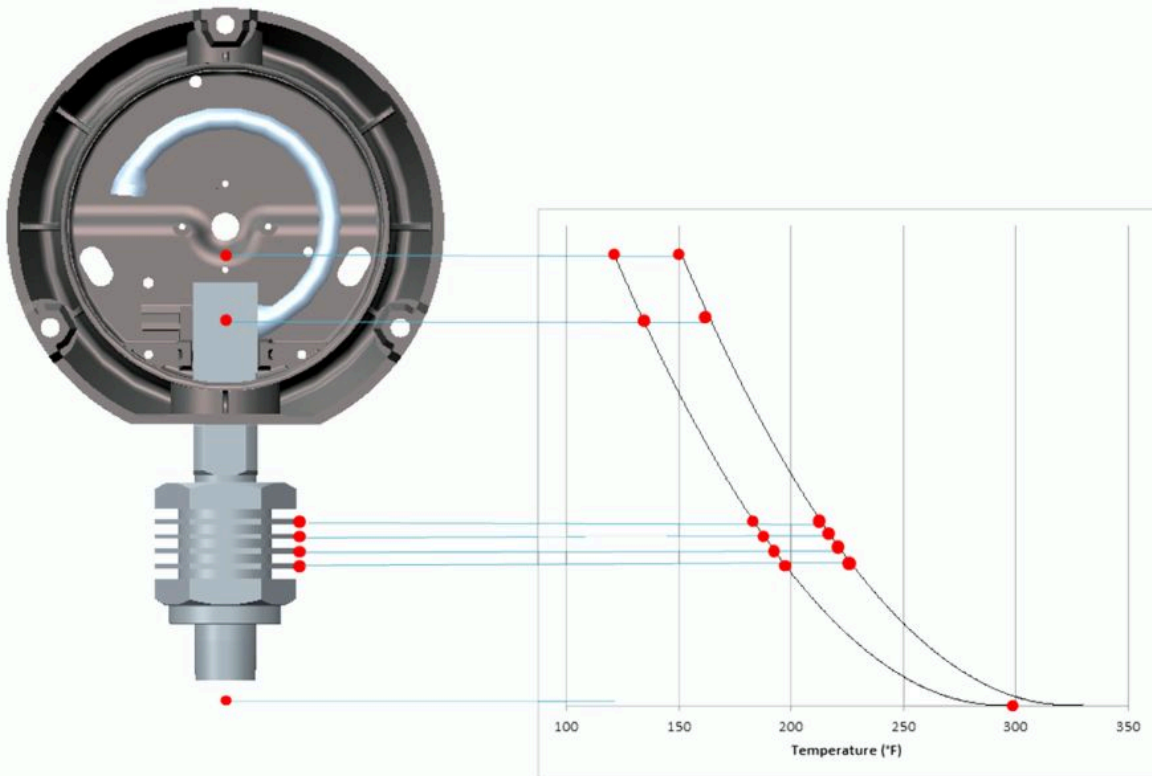
This new compact cooling adaptor is the ideal solution in application with high media temperature and in tight spaces. This cooling adaptor creates a temperature drop of approx. 200°F (93°C). Results vary based on environmental conditions.

- Material : 316L stainless steel
- Connection : 1/2"NPT female x 1/2"NPT male
- Pressure Rating : Max. 6000 psi (400 bar) at a temperature of 400°F (204°C)
- For media temperatures up to 400°F (204°C) if used on instruments with stainless steel wetted parts.
- Compact design

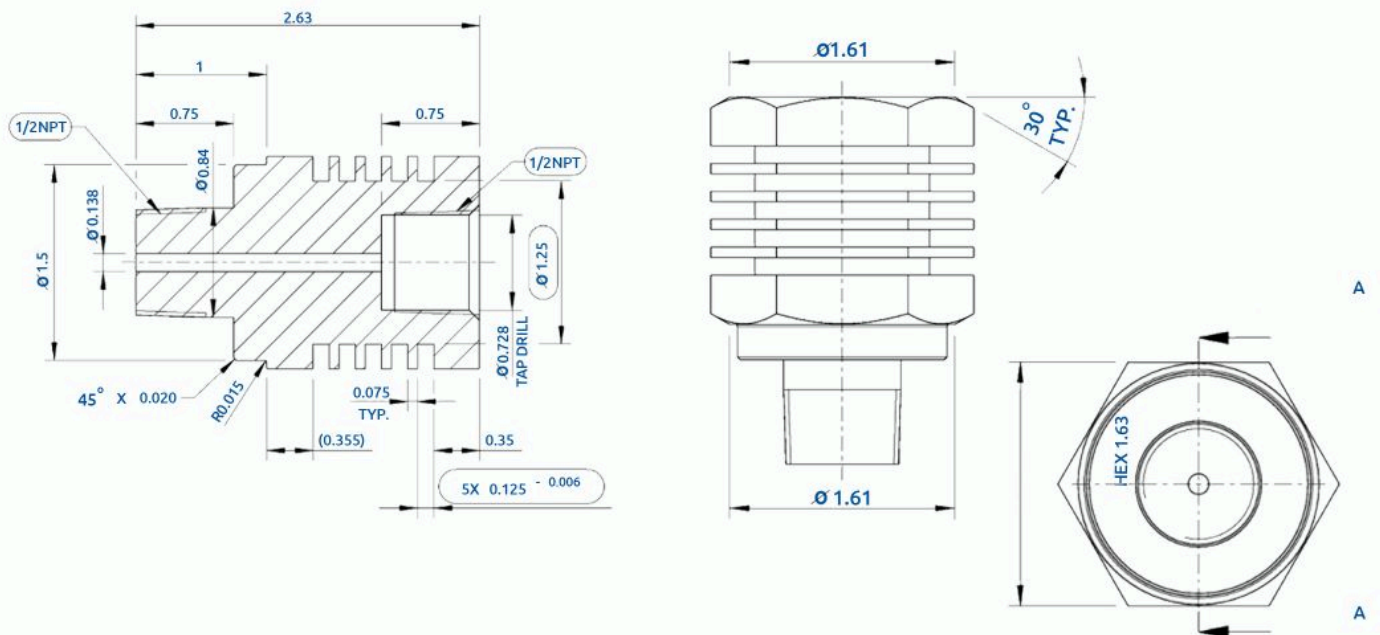


## Cooling Adaptor model: ACA

### Heat Exposure Diagram:



### Dimensions (inches):





## Cooling Adaptor model: ACA

### Order Code

ACA Configuration		
1	<b>Process Connection</b>	
	15M	G 1/2" male
	*	Other - please specify
2	<b>Material</b>	
	S	316L SS (1.4435)
	*	Other - please specify
3	<b>Connection to Pressure Instrumen</b>	
	1	1/4" NPT-female
	2	1/2" NPT-female
	3	Axial weld-in connection
	*	Other - please specify

Additional order details .....

ACA - 

--	--	--

1            2            3



Parto Sahand Ara

Unit 68, First floor, No.22  
Somayeh St., Mousavi St.  
Tehran-IRAN

[www.arainstrument.com](http://www.arainstrument.com)  
[info@arainstrument.com](mailto:info@arainstrument.com)  
+98-21-88810155-9  
+98-991-2503500