



Parto Sahand Ara

# TWF THERMOWELL

THERMOWELL FLANGED





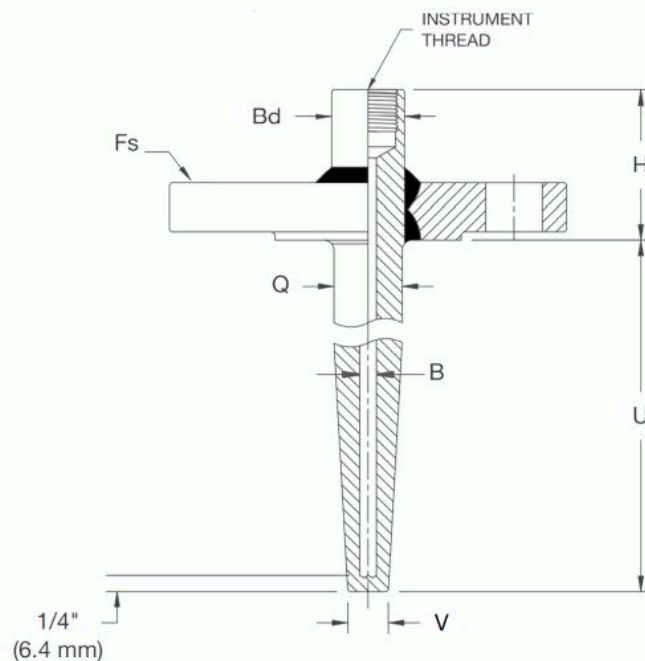
## Thermowell model : TWF

### Description

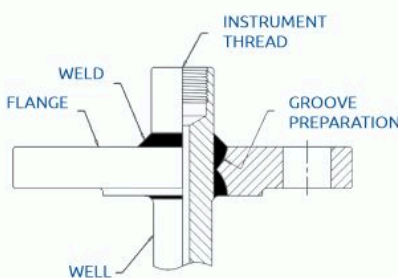
The dimension of the thermowell flange corresponds to the mating raised face diameter of the process flange. The flange surface finish is usually machined with a phonographic spiral serration to match the mating process flange. During installation a gasket is inserted between the process flange and the thermowell flange to maintain a pressure seal. The thermowell is then bolted to the process flange using the correct bolting torque forces for the bolt size and material

### Applications

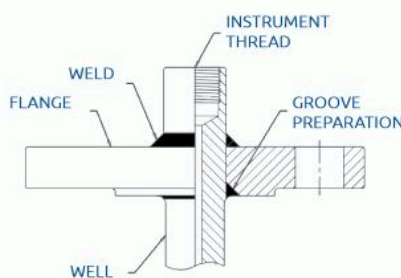
- Chemical, process, apparatus and plant engineering; petrochemical; on/offshore
- High chemical loads
- High process loads



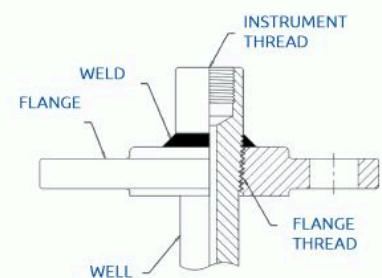
### Welding Options



FULL PENETRATION WELD



PARTIAL PENETRATION WELD



SCREWED and WELDED



## Thermowell model : TWF

### Material combinations

Thermowell Flanged Model:TWF	
Thermowell Style:	Tapered, Straight, or Stepped
Welding Options:	Full Penetration, Partial Penetration, or Screwed and Welded
Flange Size:	ASME 1 to 4 inch (DIN/EN DN 25 to DN 100)
Pressure Rating:	ASME up to 2500 psig (DIN/EN up to PN 100)
Flange Face:	To ASME B16.5 standards, DIN 2526/2527 and EN 1092-1
Insertion Length:	Up to 62 inch (1575 mm) for single piece construction
Bore Size:	0.244 to 0.702 inch (6.2 to 17.8 mm)
Bore Depth:	Up to 72 inch (1828 mm)



Flanged Tapered



Flanged Straight



Flanged Stepped

### Option:

- Wake frequency calculations
- Quality certificates
- Specialized polymer or metallic coating of wetted parts
- Product tagging
- Economical construction for exotic materials (stainless steel flange with washer disc)
- Multi-piece construction for bore depths greater than 72 inch





## Thermowell model : TWF

### Order Code

TWF Configuration	
1	<b>Thermowell style</b>
	A Tapered
	B Straight
2	<b>Flange size</b>
	25 1" DN25
	40 1½" DN40
	50 2" DN50
	80 3" DN80
	100 4" DN100
	* Other - please specify
3	<b>Pressure rating</b>
	C1 Class 150
	C2 Class 300
	C3 Class 600
	C4 Class 900
	C5 Class 1500
	C6 Class 2500
	P1 PN 10
	P2 PN 16
	P3 PN 40
	P4 PN 63
	P5 PN 100
	P6 PN 160
	* Other - please specify
	4
RF RF	
RTJ RTJ	
FF FF	
* Other - please specify	
5	<b>Instrument connection</b>
	2 1/2" NPT-female
* Other - please specify	

6	<b>Insertion length [U]</b>
	xxx Please specify...
7	<b>Head length [H]</b>
	57 57 mm
	108 108 mm
* Other - please specify	
8	<b>Flange materia</b>
	S 316L SS (1.4435)
* Other - please specify	
9	<b>Bar material</b>
	S 316L SS (1.4435)
	H Hastelloy C276 (2.4819)
	I Inconel 600 (2.4816 )
	T Tantalum
M Monel 400 (2.4360)	
* Other - please specify	
10	<b>Bar diameter [Bd]</b>
	30 30 mm (1.181 inch)
* Other - please specify	
11	<b>Bore size [B]</b>
	1 0.260 inch (6.6 mm)
	2 0.335 inch (8.5 mm)
* Other - please specify	
12	<b>Root diameter [Q]</b>
	22 22 mm
	25 25 mm
* Other - please specify	
13	<b>Tip diameter [V]</b>
	16 16 mm
	19 19 mm
* Other - please specify	

Additional order details \_\_\_\_\_

TWF -

1	2	3	4	5	6	7
8	9	10	11	12	13	



Parto Sahand Ara

Unit 68, First floor, No.22  
Somayeh St., Mousavi St.  
Tehran-IRAN

[www.arainstrument.com](http://www.arainstrument.com)  
[info@arainstrument.com](mailto:info@arainstrument.com)  
+98-21-88810155-9  
+98-991-2503500