



Parto Sahand Ara

# PGC PRESSURE GAUGE

PRESSURE GAUGE CAPSULE





## pressure gauge Capsule , model PGC

### Applications

- With liquid-filled case for applications with high dynamic pressure loads or vibrations
- For gaseous, dry and aggressive media, also in aggressive environments
- Process industry: Chemical, petrochemical, pharmaceutical, biotechnology, machine and power generation industries



### Description

The model PGC capsule pressure gauges are completely manufactured from stainless steel and are therefore particularly suited for applications in the process industry. They are based upon the proven capsule measuring system. On pressurisation, the expansion of the capsule element, proportional to the incident pressure, is transmitted to the movement and indicated.

The modular design enables a multitude of combinations of case materials, process connections, nominal sizes and scale ranges. Due to this high variance, the instrument is suitable for use in a wide range of applications within the process industry.

For mounting in control panels, the capsule pressure gauges can, depending on the process connection, be fitted with a mounting flange or with a triangular profile ring and mounting bracket.

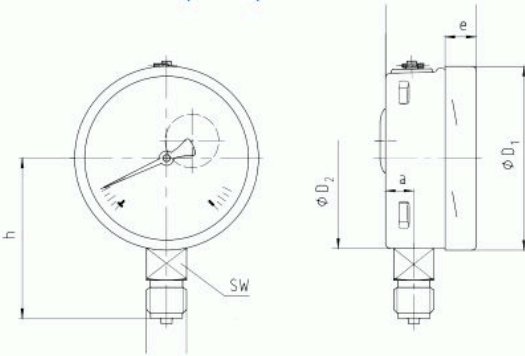
- Material: stainless steel
- Low scale ranges from 0 ... 2.5 mbar
- Zero point correction in front
- The model PGC with liquid-filled case is suitable for high dynamic pressure loads and vibrations.



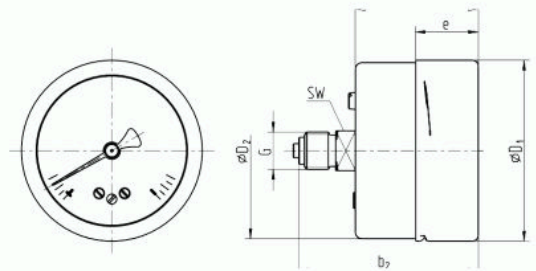
## pressure gauge Capsule , model PGC

### Dimensions in mm

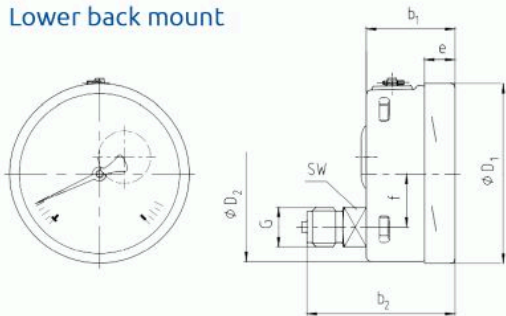
Lower mount (radial)



Centre back mount



Lower back mount



NS	Dimensions in mm											Weight in kg
	a	b	b1	b2	D1	D2	e	f	G	h ±1	SW	
63	9.5	42	42	63	64	62	22	- 1)	G ¼ B	52	14	0.19
100	15.5	49.5	49.5	83	101	99	17.5	30	G ½ B	87	22	0.60
160	15.5	49.5	49.5	83	161	159	17.5	50	G ½ B	118	22	1.10



## pressure gauge Capsule , model PGC

**Order Code**

PGC Configuration	
1	<b>dial size(mm)</b>
	063 63 (mm)
	100 100 (mm)
160 160 (mm)	
2	<b>process connection</b>
	08M 1/4" NPT-male
	15M 1/2" NPT-male
*	Other - please specify
3	<b>Connection location</b>
	L lower mount
	B back lower mount
*	Other - please specify
4	<b>pressure range</b>
	* **** to ****
5	<b>option</b>
	1 oil
	2 N/A
*	Other - please specify

Additional order details \_\_\_\_\_

PGC - 

--	--	--	--

 - 

--

1            2            3            4            5





## pressure gauge Capsule , model PGC

### Standard version

**Design :** EN 837-3

**Nominal size in mm :** 63, 100, 160

**Accuracy class :** 1.6

**Pressure element :** Stainless steel 316L

**Sealing :** FPM/FKM

**Movement :** Stainless steel

**Zero point setting :** In front

**Dial :** Aluminium, white, black lettering

**Pointer :** Aluminium, black

#### Scale ranges :

NS 63: 0 ... 40 mbar to 0 ... 600 mbar  
NS 100: 0 ... 16 mbar to 0 ... 600 mbar  
NS 160: 0 ... 2.5 mbar to 0 ... 600 mbar  
or all other equivalent vacuum or  
combined pressure and vacuum range

#### Pressure limitation :

Steady: Full scale value  
Fluctuating: 0.9 x full scale value

#### Permissible temperature :

Ambient: -20 ... +60 °C  
Medium: ≤ 100 °C

#### Temperature effect :

When the temperature of the measuring  
system deviates from the reference temperature  
(+20 °C): max. ±0.6 %/10 K of full scale value

#### Ingress protection per IEC/EN 60529 :

IP54 for model 632.50 (without case filling)  
IP65 for model 633.50 (with case filling)

#### Process connectio :

Stainless steel 316L  
Lower mount (radial) or lower back mount 1)  
NS 63: Male thread G ¼ B, SW 14  
NS 100, 160: Male thread G ½ B, SW 22

**Case filling :** Glycerine-water mixture for  
scale ranges ≥ 60 mbar

**Case :** Stainless steel

**Window :** Laminated safety glass  
(for case filling: Polycarbonate or clear  
non-splintering plastic)

**Ring :** Bayonet ring, stainless steel

### Option

- Other process connection
- Sealings
- Permissible ambient temperatures  
-40 ... +60 °C
- Overload or vacuum safety with  
scale ranges < 40 mbar: 3 x full scale value  
scale ranges ≥ 40 mbar: 10 x full scale value
- Surface mounting flange
- NS 100 and 160: Panel mounting flange
- NS 100 and 160: Triangular profile ring  
with clamp
- Switch contact



Parto Sahand Ara

Unit 68, First floor, No.22  
Somayeh St., Mousavi St.  
Tehran-IRAN

[www.arainstrument.com](http://www.arainstrument.com)  
[info@arainstrument.com](mailto:info@arainstrument.com)  
+98-21-88810155-9  
+98-991-2503500