



Parto Sahand Ara

# TCPS

## TEMPERATURE THERMOCOUPLE

THRERMOCOUPLE SENSOR PROBE

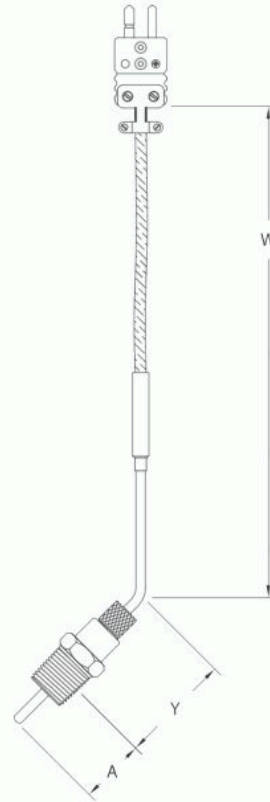


[www.arainstrument.com](http://www.arainstrument.com)

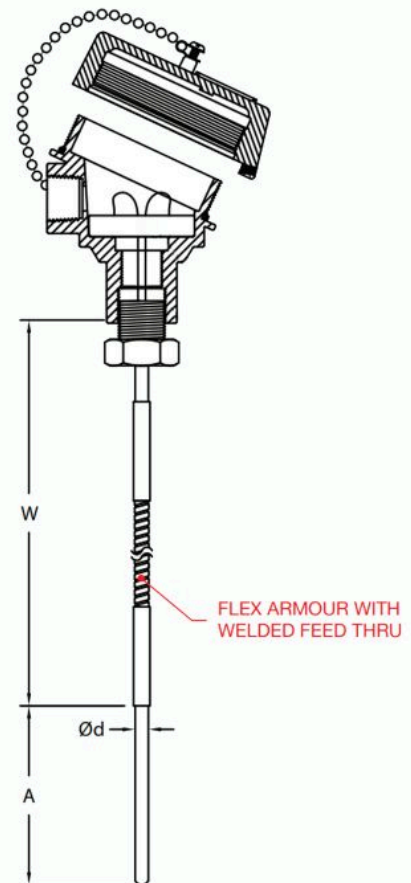


## Thermocouple model : TCPS

TCPS series thermocouples are custom industrial sensors designed to suit all applications where metal sheathed thermocouples are required. An extensive range of elements, terminations, and process connections can be individually selected for the appropriate application. With their flexibility and the small diameters in which they are available, TSA thermocouples can be used in locations that are not easily accessible.



TCPS series thermocouples are remote mounted industrial assemblies supplied with or without a temperature transmitter. They are designed for applications where direct mounting is inaccessible, where there is excessive radiated or conducted heat, or applications where high vibrations exist. An extensive range of elements, connection heads, insertion lengths and process connections can be individually selected for the appropriate application. Replacement sensors can also be configured for this model. Thermocouples in this series can be inserted directly into a process or combined with a variety of thermowell designs.





## Thermocouple model : TCPS

### Connection Heads



<b>Sensor Element:</b>	Type K (NiCr-Ni) Type T (NiCr-Ni) Type J (Fe-CuNi) Type E (NiCr-CuNi) Type N (NiCrSi-NiSi)
<b>Temperature range:</b>	-200 °C to +1260 °C (depending upon element)
<b>Number of sensors:</b>	2-wire single circuit/4-wire dual circuit

### Features:

- The sensor can be mounted into a thermowell or directly into a process with the use of a fixed, spring loaded or compression process fitting.
- The sensor has electrical approvals for intrinsic safety, ingress protection and general purpose areas.
- Electrical authorities that have registered these approvals include ATEX/IEC and NAMUR.
- The thermocouple sensors are available with a variety of sheath materials including austenitic 300 series and ferritic 400 series stainless steels, corrosion resistant and high temperature oxidation resistant alloys.
- Sensor diameters range from 0.020 inch to 0.375 inch and 0.5 mm to 8 mm.
- Thermocouple temperature ranges are dependent on the sheath & conductor diameter, element calibration, and sheath material.
- Terminations include stripped leads, standard or mini plugs & jacks, spade lugs, or Lemoso plugs.
- Termination accessories include cord grip, braze adapter, cable or wire clamps, hex crimp adapters, or compression adapters.
- If required the metal sheath can be formed during manufacture or by the installer.
- Extension cable is available in a variety of insulation and jacket materials. These include interlocking flexible armour, braided stainless steel, fibreglass, PTFE (Teflon®), PVC and Silicon.





## Thermocouple model : TCPS

### Order Code

TCIT Configuration	
1	<b>Thermocouple sensor</b>
	J Type J (Fe-CuNi) / 0...+760 °C
	K Type K (NiCr-NiAl) / 0...+1260 °C
	E Type E (NiCr-CuNi) / 0...+870 °C
	N Type N (NiCrSi-NiSi) / 0...+1260 °C
	T Type T (Cu-CuNi) / -200...+370 °C
2	<b>Number of sensors</b>
	D Dual
	S Single
3	<b>Wire of sensor</b>
	1 Ø 6.0 mm
	* Other - please specify
4	<b>Connection head</b>
	BS BS
	Ex B EX-PROOF
5	<b>Sheath material</b>
	S Steel 316
	G Steel 310
	I Inconel 600
	* Other - please specify
6	<b>Neck extension</b>
	SC Fixed single threaded hex bushing with 1/2 NPT compression fitting (SS body and ferrule)
	SS Fixed single threaded hex bushing (316SS)
	ES Nipple - Stainless steel
	FS Nipple-Union-Nipple - Stainless steel

7	<b>Instrument x Conduit entry</b>	
	15M	1/2 NPT male
	08M	1/4 NPT male
	Z	Without
	*	Other - please specify
8	<b>N-Dimension (N) - Neck Extension Length</b>	
	***	*** mm
9	<b>A-Dimension (U) - Sensor Insertion Length</b>	
	****	**** mm
10	<b>Terminal block / Transmitter</b>	
	1	Terminal block
	2	Transmitter
	*	Other - please specify
11	<b>Certificates calibration</b>	
	1	Yes
	Z	Without

Additional order details \_\_\_\_\_

TCPS -

1	2	3	4	5	6	7
			-			
8	9	10		11		



Parto Sahand Ara

Unit 68, First floor, No.22  
Somayeh St., Mousavi St.  
Tehran-IRAN

[www.arainstrument.com](http://www.arainstrument.com)  
[info@arainstrument.com](mailto:info@arainstrument.com)  
+98-21-88810155-9  
+98-991-2503500