



Parto Sahand Ara

ASP ACCESSORY

ACCESSORY SYPHONS PIPES





Accessory syphons pipes model: ASP

Applications

- Sanitary applications
- Food and beverage industry
- Bio and pharmaceutical industry, production of active ingredients



Description

In addition to the standardised syphons, connections for NPT threads following DIN 16282 and industrial standard variants are available. Inside the syphon, condensate is collected, which prevents the ingress of hot media into the pressure measuring instrument. It is recommended to fill the syphon with a cooling separating liquid before commissioning the pressure line. U-form syphons are intended for horizontal pressure tapping; trumpet-form syphons are intended for vertical pressure tapping.

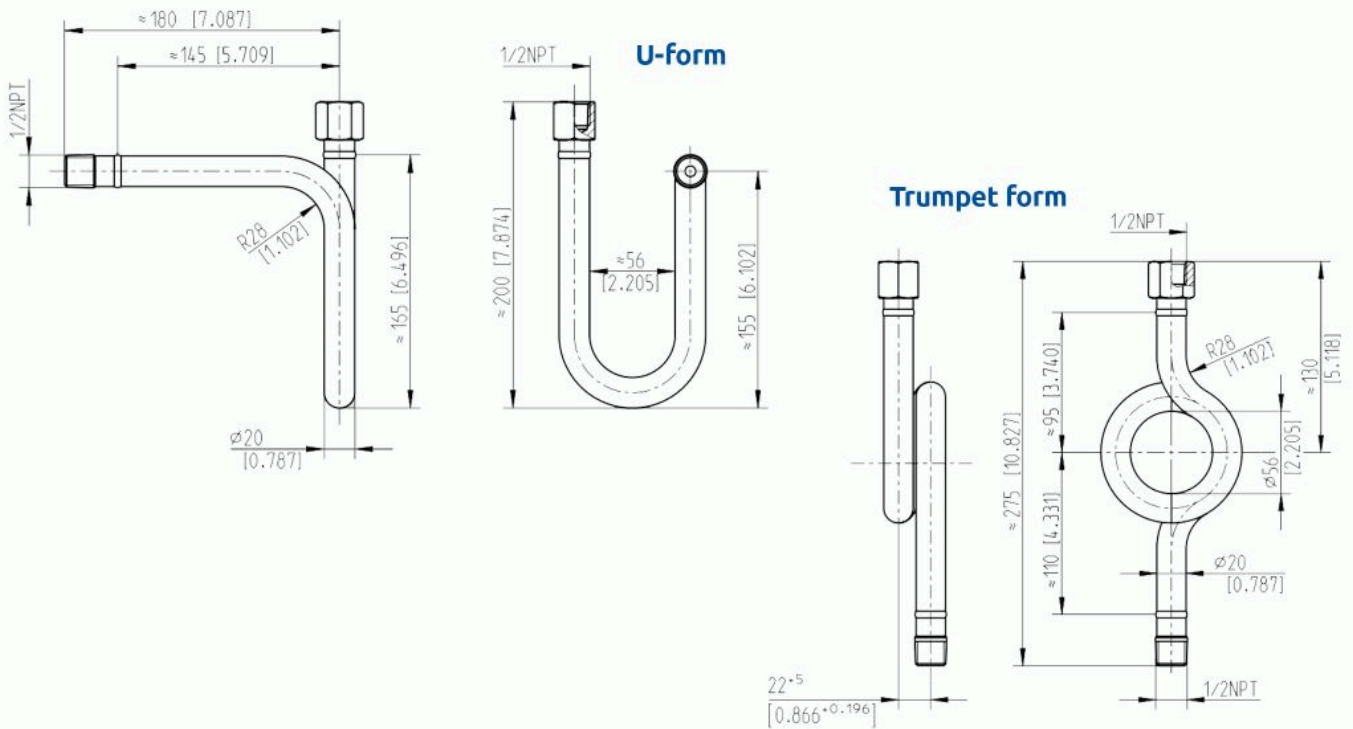
The length-optimised compact form minimises the influence of vibrations and protects the pressure measuring instrument from pressure spikes and pulsations.

- Material: Monel
- Permissible temperatures to 550 °C
- Nominal pressures to 420 bar



Accessory syphons pipes model: ASP

Dimensions in mm [in]



Version	Inlet	Outlet	Max.operating pressure in bar [psi]	b (mm)
U-form	½ NPT, male	½ NPT, fixed bushing	160 [1,450]	20 mm
Trumpet form			160 [1,450]	20 mm
U-form			40 [580]	14 mm
Trumpet form			40 [580]	14 mm



Cooling Adaptor model: ASP

Order Code

ASP Configuration	
1	Type
	U U-form T Trumpet form
2	Process Connection
	15M 1/2" NPT male * Other - please specify
3	Material
	S1 316L SS (1.4435) S2 316L SS (1.4435) * Other - please specify
	Rating (bar)
4	160 160 [1,450] 040 40 [580] * Other - please specify
	Connection to Instrument
	5 2 1/2" NPT-female * Other - please specify

Additional order details _____

ASP -

1	2	3	4	5



Parto Sahand Ara

Unit 68, First floor, No.22
Somayeh St., Mousavi St.
Tehran-IRAN

www.arainstrument.com
info@arainstrument.com
+98-21-88810155-9
+98-991-2503500