



Parto Sahand Ara

DTS DIAPHRAGM

DIAPHRAGM TREAD STERILE





Diaphragm Seal Type DTS

Applications

- Sanitary applications
- Food and beverage production
- Dairies, dairy products
- Breweries
- Soft drink production



Description

Diaphragm seals are used for the protection of pressure measuring instruments in applications with difficult media. In diaphragm seal systems, the diaphragm of the diaphragm seal effects the separation of the instrument and the medium.

The pressure is transmitted to the measuring instrument via the system fill fluid which is inside the diaphragm seal system.

Due to their hygienic process connection, the model DTS diaphragm seals are particularly well suited for food production.

- Mounting of the diaphragm seal to the measuring instrument may be made via a direct connection, for high temperatures via a cooling element or via a flexible capillary
- Pressure range : 0 ... 1 bar to 0 ... 25 bar [0 ... 14.5 psi to 0 ... 360 psi]
or all other equivalent vacuum or combined pressure and vacuum ranges



Diaphragm Seal Type DTS

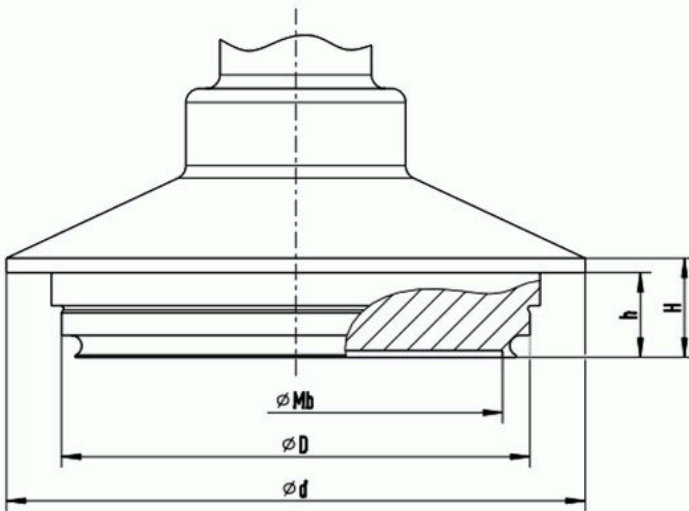
Material combinations

Upper body of diaphragm seal	Wetted parts	Maximum permissible process temperature in °C [°F]
Stainless steel 1.4404 (316L)	Stainless steel 1.4404 / 1.4435 (316L), standard version	400 [752]
	Stainless steel 1.4539 (904L)	
	Stainless steel 1.4541 (321)	
	Stainless steel 1.4571 (316Ti)	
	ECTFE coating	150 [302]
	PFA (perfluoroalkoxy) coating, FDA	260 [500]
	PFA (perfluoroalkoxy) coating, antistatic	
	Gold plating	400 [752]
	Wikaramic® coating	
	Hastelloy C22 (2.4602)	260 [500]
	Hastelloy C276 (2.4819)	400 [752]
	Inconel 600 (2.4816)	
	Inconel 625 (2.4856)	
	Incoloy 825 (2.4858)	
	Monel 400 (2.4360)	
	Nickel 200 (2.4060, 2.4066)	260 [500]
Titanium grade 2 (3.7035)	150 [302]	
Titanium grade 11 (3.7225)		
Tantalum	300 [572]	
Stainless steel 1.4435 (316L)	Stainless steel 1.4435 (316L)	400 [752]
Stainless steel 1.4539 (904L)	Stainless steel 1.4539 (904L)	
Stainless steel 1.4541 (321)	Stainless steel 1.4541 (321)	
Stainless steel 1.4571 (316Ti)	Stainless steel 1.4571 (316Ti)	
Duplex 2205 (1.4462)	Duplex 2205 (1.4462)	300 [572]
Superduplex 2507 (1.4410)	Superduplex 2507 (1.4410)	
Hastelloy C22 (2.4602)	Hastelloy C22 (2.4602)	400 [752]
Hastelloy C276 (2.4819)	Hastelloy C276 (2.4819)	
Inconel 600 (2.4816)	Inconel 600 (2.4816)	
Inconel 625 (2.4856)	Inconel 625 (2.4856)	
Incoloy 825 (2.4558)	Incoloy 825 (2.4858)	
Monel 400 (2.4360)	Monel 400 (2.4360)	
Nickel 200 (2.4060, 2.4066)	Nickel 200 (2.4060, 2.4066)	
Titanium grade 2 (3.7035)	Titanium grade 2 (3.7035)	
Titanium grade 7 (3.7235)	Titanium grade 11 (3.7225)	



Diaphragm Seal Type DTS

Dimensions in mm [in]



Legend:
 d Outer diameter of diaphragm seal
 Mb Effective diameter of diaphragm

Size	PN in bar	Dimensions in mm [in]				
		Mb	D	d	H	h
for DN 10 - DN 15	25	17 [0.669]	31 [1.22]	52.7 [2.075]	17.3 [0.681]	13.7 [0.539]
for DN 25,	25	40 [1.575]	50 [1.969]	66 [2.598]	14.4 [0.567]	12.3 [0.484]
for DN 40	25	60 [2.362]	68 [2.677]	84 [3.307]	14.4 [0.567]	12.3 [0.484]



Diaphragm Seal Type DTS

Order Code

DTS Configuration	
1	Process Connection
	15M DN10/ DN15
	25M DN25
	40M DN40
	* Other - please specify
2	Material of Wetted Part
	S 316L SS (1.4435)
	H Hastelloy C276 (2.4819)
	I Inconel 600 (2.4816)
	M Monel 400 (2.4360)
* Other - please specify	
3	Connection to Pressure
	1 1/4" NPT-female
	2 1/2" NPT-female
	3 Axial weld-in connection
	* Other - please specify
4	Accessory
	1 Capillary
	2 Cooling
	3 PTFE coated
	4 N/A
* Other - please specify	

Additional order details _____

DTS - -

1 2 3 4



Parto Sahand Ara

Unit 68, First floor, No.22
Somayeh St., Mousavi St.
Tehran-IRAN

www.arainstrument.com
info@arainstrument.com
+98-21-88810155-9
+98-991-2503500