



Parto Sahand Ara

# TWW THERMOWELL

THERMOWELL WELD-IN





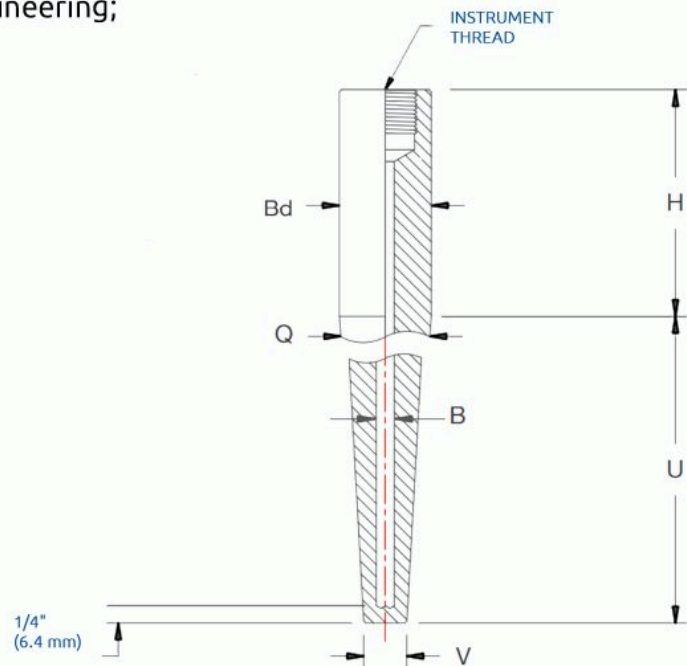
## Thermowell model : TWW

### Description

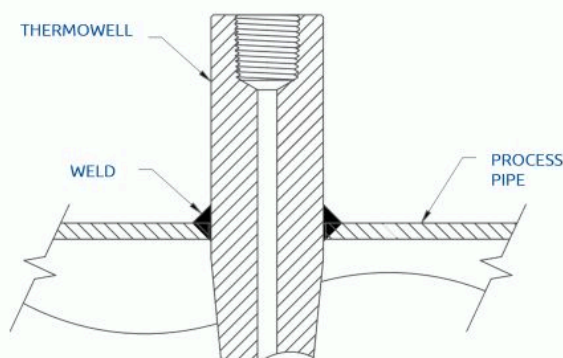
Model TWW thermowells are machined from solid bar stock and inserted into the process through direct welded attachment. This design of thermowell will accept thermocouples (TC), resistance temperature detectors (RTD), as well as mechanical and digital thermometers. The Head Diameter (P) is designed to fit any required process size with a minimum of 1 inch (25.4 mm) to a maximum of 2 inch (50.8 mm). Consult factory if a larger diameter is required. There are no restrictions on head diameter within the specified range as no fitting with matching dimensions is necessary.

### Applications

- Chemical, process, apparatus and plant engineering; petrochemical; on/offshore
- High chemical loads
- High process loads



### Weld-In Thermowell Installation:





## Thermowell model : TWW

### Material combinations

#### Thermowell Flanged Model:TWW

Thermowell Style:	Tapered, Straight, or Stepped
Head Diameter:	Up to 2 inch (50.8 mm)
Insertion Length:	Up to 62 inch (1575 mm) for single piece construction
Bore Size:	ASME up to 2500 psig (DIN/EN up to PN 100)
Bore Depth:	To ASME B16.5 standards, DIN 2526/2527 and EN 1092-1
Options:	<ul style="list-style-type: none"><li>-Wake frequency calculations</li><li>-Quality certificates</li><li>-Stainless steel plug-or cap H30with E27</li><li>-Product tagging</li><li>-Multi-piece construction for bore depths greater than 72 inch</li></ul>

Weld-In Tapered



Weld-In Straight



Weld-In Stepped





## Diaphragm Seal Type TWW

### Order Code

TWW Configuration		
1	<b>Thermowell style</b>	
	A	Tapered
	B	Straight
	C	Stepped
2	<b>Instrument connection</b>	
	1	1/4" NPT-female
	2	1/2" NPT-female
	*	Other - please specify
3	<b>Insertion length [U]</b>	
	xxx	please specify...
4	<b>Head length [H]</b>	
	45	45 mm
	*	Other - please specify
5	<b>Material</b>	
	S	316L SS (1.4435)
	H	Hastelloy C276 (2.4819)
	I	Inconel 600 (2.4816 )
	P	PTFE
	T	Tantalum
	M	Monel 400 (2.4360)
	*	Other - please specify
6	<b>Bore size [B]</b>	
	1	0.260 inch (6.6 mm)
	2	0.335 inch (8.5 mm)
	*	Other - please specify

7	<b>Head diameter [Bd]</b>	
	40	40 mm
	35	35mm
	30	30 mm
	*	Other - please specify
8	<b>Root diameter [Q]</b>	
	22	22 mm
	25	25 mm
	27	27 mm
	*	Other - please specify
9	<b>Tip diameter [V]</b>	
	19	19 mm
	22	22 mm
	25	25 mm
	27	27 mm
*	Other - please specify	

Additional order details \_\_\_\_\_

TWW -

1	2	3	4	5	6	7	8	9	



Parto Sahand Ara

Unit 68, First floor, No.22  
Somayeh St., Mousavi St.  
Tehran-IRAN

[www.arainstrument.com](http://www.arainstrument.com)  
[info@arainstrument.com](mailto:info@arainstrument.com)  
+98-21-88810155-9  
+98-991-2503500