



Parto Sahand Ara

DTW DIAPHRAGM

DIAPHRAGM TREAD WELD



www.arainstrument.com



Diaphragm Seal Type DTW

Applications

- Versatile in application
- Water treatment
- Oil and gas industry, chemical and petrochemical industries
- Aggressive, hot, corrosive, environmentally hazardous or toxic media



Description

Diaphragm seals are used for the protection of pressure measuring instruments in applications with difficult media. In diaphragm seal systems, the diaphragm of the diaphragm seal effects the separation of the instrument and the medium. The pressure is transmitted to the measuring instrument via the pressure transmission medium which is inside the diaphragm seal system.

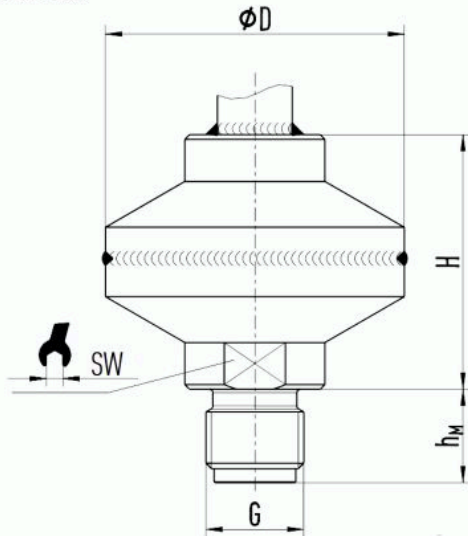
- Connection to the measuring instrument : Axial gauge adapter/
Axial gauge adapter with female thread G 1/2, G 1/4, 1/2 NPT or 1/4 NPT/
Male thread 9/16-18 UNF.
- Type of mounting : Direct mounting / Capillary / Cooling element
- Pressure range : 0 ... 0.6 bar [0 ... 8.7 psi] to 0 ... 1,000 bar [0 ... 14,500 psi]



Diaphragm Seal Type DTW

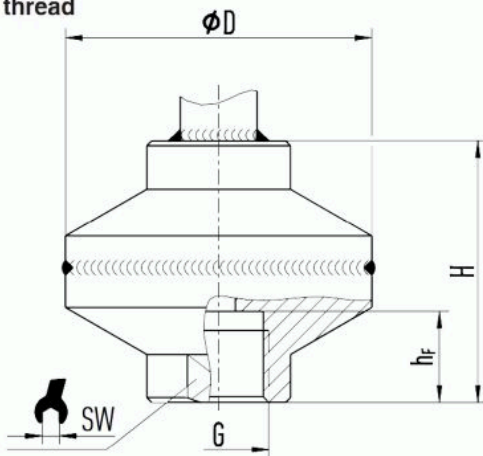
Dimensions in mm [in]

Male thread



G	Dimensions in mm [in]			SW
	D	H	H _M	
G ¼ A	65	54.5 ... 75.5 [2.15 ... 2.93]	13 [0.51]	27 [1.06]
G 3/8 A	65	54.5 ... 75.5 [2.15 ... 2.93]	16 [0.63]	27 [1.06]
G ½ A	65	54.5 ... 75.5 [2.15 ... 2.93]	20 [0.79]	27 [1.06]
G ¾ A	65	54.5 ... 75.5 [2.15 ... 2.93]	20 [0.79]	32 [1.26]
G 1 A	65	54.5 ... 75.5 [2.15 ... 2.93]	28 [1.10]	41 [1.61]
¼ NPT	65	54.5 ... 75.5 [2.15 ... 2.93]	13 [0.51]	27 [1.06]
½ NPT	65	54.5 ... 75.5 [2.15 ... 2.93]	19 [0.75]	27 [1.06]
¾ NPT	65	54.5 ... 75.5 [2.15 ... 2.93]	20 [0.79]	32 [1.26]
1 NPT	65	54.5 ... 75.5 [2.15 ... 2.93]	25 [0.98]	41 [1.61]
M20 x 1.5	65	54.5 ... 75.5 [2.15 ... 2.93]	20 [0.79]	27 [1.06]
R ¼	65	54.5 ... 75.5 [2.15 ... 2.93]	15 [0.59]	27 [1.06]
R ½	65	54.5 ... 75.5 [2.15 ... 2.93]	19 [0.75]	27 [1.06]
R 1	65	54.5 ... 75.5 [2.15 ... 2.93]	19 [0.75]	41 [1.61]

Female thread



G	Dimensions in mm [in]			SW
	D	H	H _M	
G ¼	65	54.5 ... 75.5 [2.15 ... 2.93]	13 [0.51]	27 [1.06]
G 3/8	65	54.5 ... 75.5 [2.15 ... 2.93]	16 [0.63]	27 [1.06]
G ½	65	54.5 ... 75.5 [2.15 ... 2.93]	20 [0.79]	27 [1.06]
G ¾	65	62.5 ... 83.5 [2.46 ... 3.29]	20 [0.79]	32 [1.26]
¼ NPT	65	54.5 ... 75.5 [2.15 ... 2.93]	13 [0.51]	27 [1.06]
½ NPT	65	54.5 ... 75.5 [2.15 ... 2.93]	19 [0.75]	27 [1.06]
¾ NPT	65	54.5 ... 75.5 [2.15 ... 2.93]	20 [0.79]	32 [1.26]
1 NPT	65	68.5 ... 89.5 [2.70 ... 3.52]	25 [0.98]	41 [1.61]



Diaphragm Seal Type DTW

Order Code

DTW Configuration	
1	Process Connection
	08F 1/4" NPT female
	15F 1/2" NPT female
	20F 3/4" NPT female
	25F 1" NPT female
	08M 1/4" NPT male
	15M 1/2" NPT male
	20M 3/4" NPT male
	25M 1" NPT male
	* Other - please specify
2	Material of Wetted Part
	S 316L SS (1.4435)
	H Hastelloy C276 (2.4819)
	I Inconel 600 (2.4816)
	T Tantalum
	M Monel 400 (2.4360)
	* Other - please specify
3	Connection to Pressure Instrument
	1 1/4" NPT-female
	2 1/2" NPT-female
	3 Axial weld-in connection
	* Other - please specify
4	Accessory
	1 Capillary
	2 Cooling
	3 PTFE coated
	4 N/A
	* Other - please specify

Additional order details _____

DTW -

--	--	--	--

 -

--



Parto Sahand Ara

Unit 68, First floor, No.22
Somayeh St., Mousavi St.
Tehran-IRAN

www.arainstrument.com
info@arainstrument.com
+98-21-88810155-9
+98-991-2503500