



Parto Sahand Ara

APS SNUBBER

Accessory Peressure Snubber



www.arainstrument.com



Pressure snubber model: APS

Applications

- Snubbers protect pressure measuring instruments from pressure surges and pulsations in the medium
- Stainless steel version for aggressive media, even in aggressive environments
- Process industry: Machine building, general plant construction, chemical industry, petrochemical industry, power plants, mining, on-/offshore and environmental technology



Accessory Pressure Snubber model: APS

Description

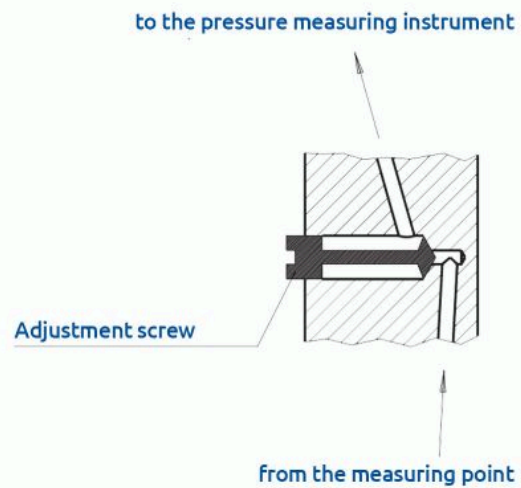
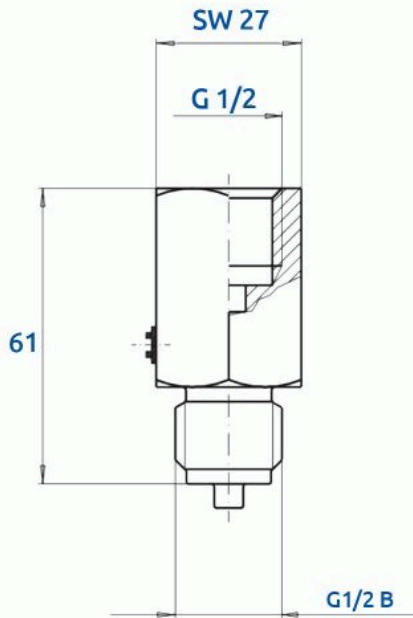
Snubbers are adjustable (modification of the flow cross-section) and can thus be adapted individually to the respective operating conditions. A readjustment during operation, if required, is possible at any time. The pulsations and pressure surges in the medium, occurring e.g. in compressors, steam engines, hydraulic presses, tensile testing machines etc., are largely compensated by this device. Snubbers ensure a considerably prolonged service life of the pressure measuring instruments and improve the reading accuracy of pressure gauges.

- Material: Monel
- Nominal pressures to 400 bar
- Oil and grease free for oxygen: max. 50 bar or +60 °C (for brass and 1.4571 materials only)
- Other process connection: G 1/4, G 3/8 per EN 837-1/7.3, M20 x 1.5, 1/4 NPT, 1/2 NPT
- Compact design



Pressure snubber model: APS

Dimensions in mm [in]



Material			PN	Temperature range
Body	Spindle	Sealing	Bar	
Steel	1.4404	NBR	400	-10 ... +120 °C
1.4571	1.4404	FPM	400	-10 ... +120 °C



peressure snubber model: APS

Order Code

APS Configuration		
1	Process Connection	
	15M	G 1/2" male
	*	Other - please specify
2	Material	
	S	316L SS (1.4435)
	*	Other - please specify
3	Connection to Pressure Instrumen	
	1	1/4" NPT-female
	2	1/2" NPT-female
	3	Axial weld-in connection
	*	Other - please specify

Additional order details _____

APS -

--	--	--

 1 2 3



Parto Sahand Ara

Unit 68, First floor, No.22
Somayeh St., Mousavi St.
Tehran-IRAN

www.arainstrument.com
info@arainstrument.com
+98-21-88810155-9
+98-991-2503500