



Parto Sahand Ara

# DST DIAPHRAGM

DIAPHRAGM SANITARY TREAD



[www.arainstrument.com](http://www.arainstrument.com)



## Diaphragm Seal Type DST

### Applications

- Food and beverage production
- For dairies, dairy products
- Breweries
- Filling systems
- Filtration, separation, pasteurisation



### Description

Diaphragm seals are used for the protection of pressure measuring instruments in applications with difficult media. In diaphragm seal systems, the diaphragm of the diaphragm seal effects the separation of the instrument and the medium. The pressure is transmitted to the measuring instrument via the system fill fluid which is inside the diaphragm seal system.

For the implementation of demanding customer applications, there are a wide variety of designs, materials and system fill fluids available.

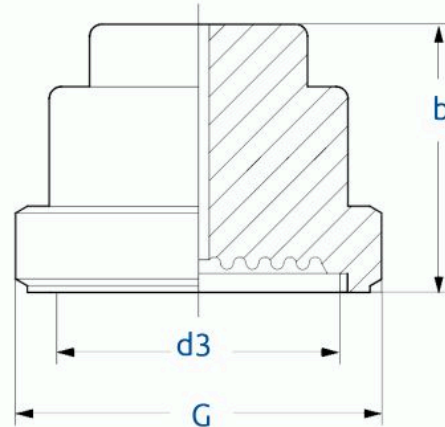
The model DST diaphragm seals with threaded connection are particularly suited for use in the food industry. The diaphragm seals can withstand the cleaning vapour temperatures occurring in the SIP processes and thus ensure a sterile connection between the medium to be measured and the diaphragm seal. Mounting of the diaphragm seal to the measuring instrument may be made via a direct connection, for high temperatures via a cooling element or via a flexible capillary

- Mounting of the diaphragm seal to the measuring instrument may be made via a direct connection, for high temperatures via a cooling element or via a flexible capillary
- Connection to the measuring instrument : Axial adapter  
Axial adapter with G 1/2, G 1/4, 1/2 NPT or 1/4 NPT (female)
- Pressure Ranges : 0 ... 0.6 to 0 ... 40 bar (0 ... 8.7 to 0 ... 580 psi)  
or all other equivalent vacuum or combined pressure and vacuum ranges
- Wetted Parts : Stainless steel 1.4435 (316L)



## Diaphragm Seal Type DST

### Dimensions in mm [in]



DN	Pipe outer Ø x wall thickness	PN			
			G	b	d3
40	41 x 1.5) (1.614 x 0.059)	40	RD 65 x 1/6	46 (18.110)	40 (15.748)
50	53 x 1.5 (2.087 x 0.059)		RD 78 x 1/6	46 (18.110)	50 (19.685)
65	70 x 1.5 (2.756 x 0.059)		RD 95 x 1/6	46 (18.110)	57 (22.440)
80	85 x 2 (3.345 x 0.059)		RD 110 1/4	47 (18.503)	76 (29.921)



## Diaphragm Seal Type DST

### Order Code

DST Configuration	
1	<b>Process Connection</b>
	40 DN40
	50 DN50
	65 DN65
	80 DN80
*	Other - please specify
2	<b>Material of Wetted Parts</b>
	S 316L SS (1.4435)
	H Hastelloy C276 (2.4819)
	I Inconel 600 (2.4816 )
	M Monel 400 (2.4360)
*	Other - please specify
3	<b>Connection to Pressure Instrumen</b>
	1 1/4" NPT-female
	2 1/2" NPT-female
	3 Axial weld-in connection
*	Other - please specify
4	<b>Accessory</b>
	1 Capillary
	2 Cooling
	3 PTFE coated
	4 N/A
*	Other - please specify

Additional order details \_\_\_\_\_

DST -  -  -  -

1 2 3 4





Parto Sahand Ara

Unit 68, First floor, No.22  
Somayeh St., Mousavi St.  
Tehran-IRAN

[www.arainstrument.com](http://www.arainstrument.com)  
[info@arainstrument.com](mailto:info@arainstrument.com)  
+98-21-88810155-9  
+98-991-2503500