



Parto Sahand Ara

TCIP

TEMPERATURE THERMOCOUPLE

THRERMOCOUPLE INSERT PLATE





Thermocouple model : TCIP

Applications

- Replacement measuring insert for servicing
- For all industrial and laboratory applications



Description

The measuring inserts per DIN 43735 for resistance thermometers described here are designed for installation in a protective fitting. Operation without thermowell is only recommended in certain applications. The measuring insert is made of a bendable mineral-insulated sheathed cable. The thermocouple is located at the tip of the measuring insert. The measuring inserts are delivered with pressure springs to ensure that the measuring inserts are pressed down to the thermowell bottom.

- Sensor ranges from $-40 \dots +1,200 \text{ }^{\circ}\text{C}$ [$-40 \dots +2,192 \text{ }^{\circ}\text{F}$]
- Made of mineral-insulated sheathed measuring cable
- Functional safety (SIL) with model T32 temperature transmitter
- Spring-loaded design
- Explosion-protected versions are available for many approval types

Apart from the DIN versions, customer-specific versions are available, for example:

- other measuring insert lengths (also intermediate lengths)
- with mounted sleeve to suit inner diameter of the thermowell
- without terminal block
- with transmitter



Thermocouple model : TCST

Sensor Element:	Type K (NiCr-Ni) Type T (NiCr-Ni) Type J (Fe-CuNi) Type E (NiCr-CuNi) Type N (NiCrSi-NiSi)
Temperature range:	-200 °C to +1260 °C (depending upon element)
Number of sensors:	2-wire single circuit/4-wire dual circuit

Connection Heads



BS

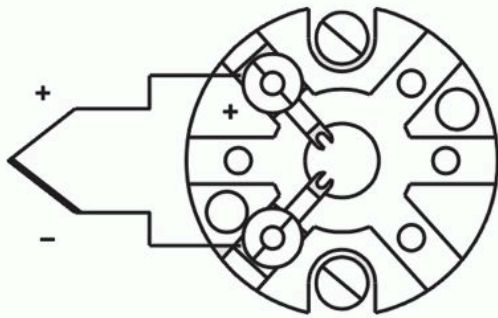


B EX-PROOF

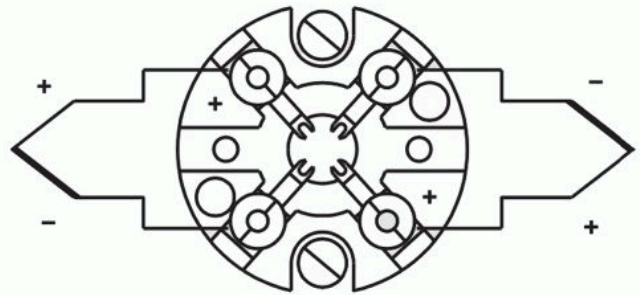


Thermocouple model : TCIP

Electrical connection



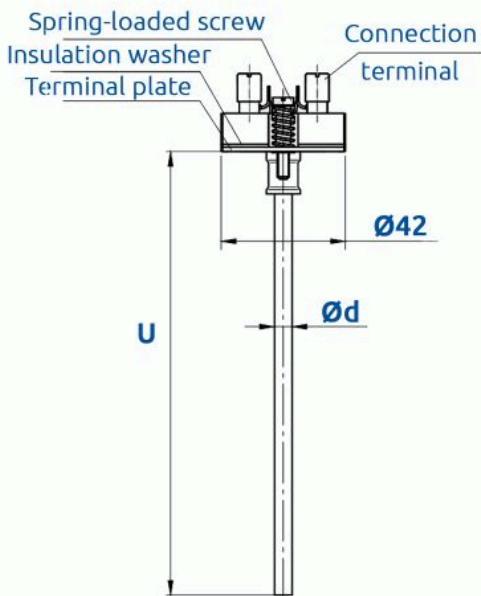
Single thermocouple



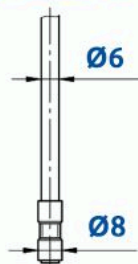
Dual thermocouple

For the electrical connections of built-in temperature transmitters see the corresponding data sheets or operating instructions.

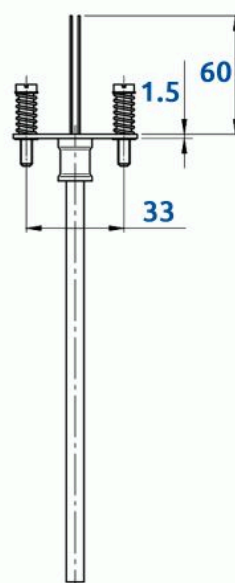
Dimensions in mm



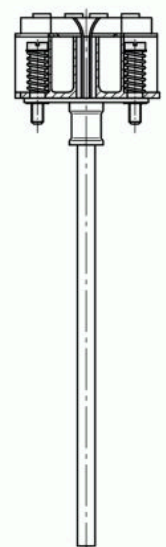
Measuring insert with sleeve in the sensor area



Design prepared for transmitter mounting



Design with mounted transmitter



Legend:

l5 Measuring insert length

Ø d Measuring insert diameter

The replaceable measuring insert is made of a vibration-resistant, sheathed measuring cable



Thermocouple model : TCIP

Order Code

TCIP Configuration	
1	Thermocouple sensor
	J Type J (Fe-CuNi) / 0...+760 °C
	K Type K (NiCr-NiAl) / 0...+1260 °C
	E Type E (NiCr-CuNi) / 0...+870 °C
	N Type N (NiCrSi-NiSi) / 0...+1260 °C
T Type T (Cu-CuNi) / -200...+370 °C	
2	Number of sensors
	D Dual S Single
3	Wire gauge of sensor(d)
	1 Ø 6.0 mm Flexibility * Other - please specify
4	Sheath material
	S Steel 316
	G Steel 310
	I Inconel 600
* Other - please specify	
5	A-Dimension (U) - Sensor Insertion Length
****	**** mm
6	Terminal block / Transmitter
	1 Ceramic
	2 Transmitter Z Without
7	Certificates calibration
	1 Yes Z Without

Additional order details _____

TCIP - -
1 2 3 4 5 6 7



Parto Sahand Ara

Unit 68, First floor, No.22
Somayeh St., Mousavi St.
Tehran-IRAN

www.arainstrument.com
info@arainstrument.com
+98-21-88810155-9
+98-991-2503500